

**Cory Levy**

**Presents**

**PINK  
and  
PURPLE**

**Public Sculpture Proposal**

**A  
C  
C  
R  
E  
T  
I  
O  
N**



# **TABLE OF CONTENTS**

## **INTRODUCTION TO PINK AND PURPLE ACCRETION**

Proposal Description	1
Project Budget & Parts List	2
Installation Mock-Up	3
Proposal Concept	7
Maquette	9
Observational Drawing Inspiration	13
Human Scale Reference	15

## **WORKING DRAWINGS**

Orthographic Projection	16
Base Frame: Plan View	20
Details	21
Installation Anchoring Method	24

Cory Levy, Artist  
 Pink and Purple Accretion

Proposal Description

*Pink and Purple Accretion* is my public sculpture proposal to exhibit outdoors. I designed this structure to span the dimensions of 8' x 8' 8 5/8" x 8' 8 5/8" and weigh approximately 1300 lbs. 316 marine grade stainless steel brackets and bolts join a composition of painted Extira panels and black locust lumber. I've accounted for screw anchors to fasten the sculpture's post-base brackets into a concrete surface. Locations that include or can accommodate a level slab are ideal for this project. Alternatively, I can bury four reinforced concrete blocks into soil. They would be positioned underneath each post base. Both anchoring procedures and all structural materials utilized will hold securely through years of harsh weather conditions. Before installation, all parts can be separated in my studio, transported, and then reassembled on-site.



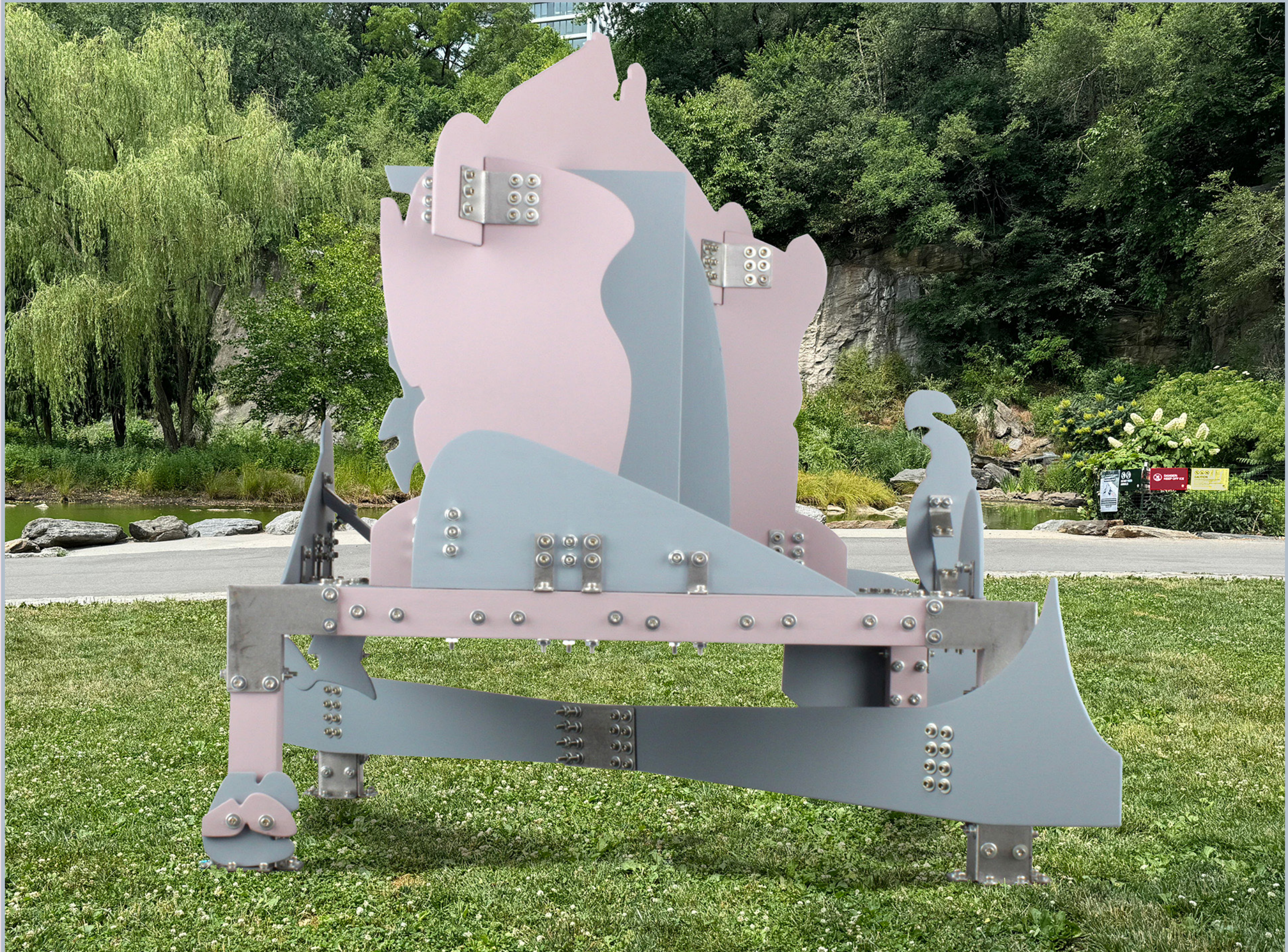
**PROJECT BUDGET**

<b>Category</b>	<b>Cost</b>
Equipment	\$5,566.53
Raw Materials	\$3,485.54
Services	\$434
Sales Tax	\$379.44
Contingency	\$1,973.10
<b>Project Subtotal</b>	<b>\$11,838.62</b>

**PARTS LIST**

<b>Part Name</b>	<b>Quantity</b>
3/4" Extira Panel	133.64 sq. ft
Brackets: 11ga. Sheet Metal , 316 SS	6.73 sq. ft
1/2"-13 Thread Hex Bolts, 316 SS	466 Bolts
1/2"-13 Thread Hex Nuts, 316 SS	466 Nuts
1/2" Flat Washers, 316 SS	932 Washers
6x6 Black Locust Lumber	32' 5/8" Total Length
2x6 Black Locust Lumber	29' 8 1/8" Total Length
2x4 Black Locust Lumber	31' 2 3/8" Total Length
Concrete Bags 80lbs	2 Bags





Cory Levy, Artist  
Pink and Purple Accretion

Proposal Concept

*Pink and Purple Accretion* is a physicalization of my attention neuro-divergence (AND) and red-green color processing divergence (RG-CPD). It is a monument of labor devoted to accepting and celebrating neurodiversity. I want to share this love with a publicly accessible landmark and informative hub. A QR code mounted amongst the installation will lead viewers to a Linktree trailhead of various online resources. Some are the concept behind *Pink and Purple Accretion*, my self-authored article, *AND: Denouncing The ADHD Label, An Opinion Piece*, as well as consensual credits to all people and entities who considerably assisted this project's development.

The relationship between *Pink and Purple Accretion* and my cognitive experience is comparable to that between symbols and language. Letters document linguistics, they spell out words to read and speak. When compounded, musical notes encapsulate melodies. The tune of a song may also be conceptualized then played by various instruments. Graphite records my internal stimuli on paper by the process of life drawing. I then translate mark-making into schematics.

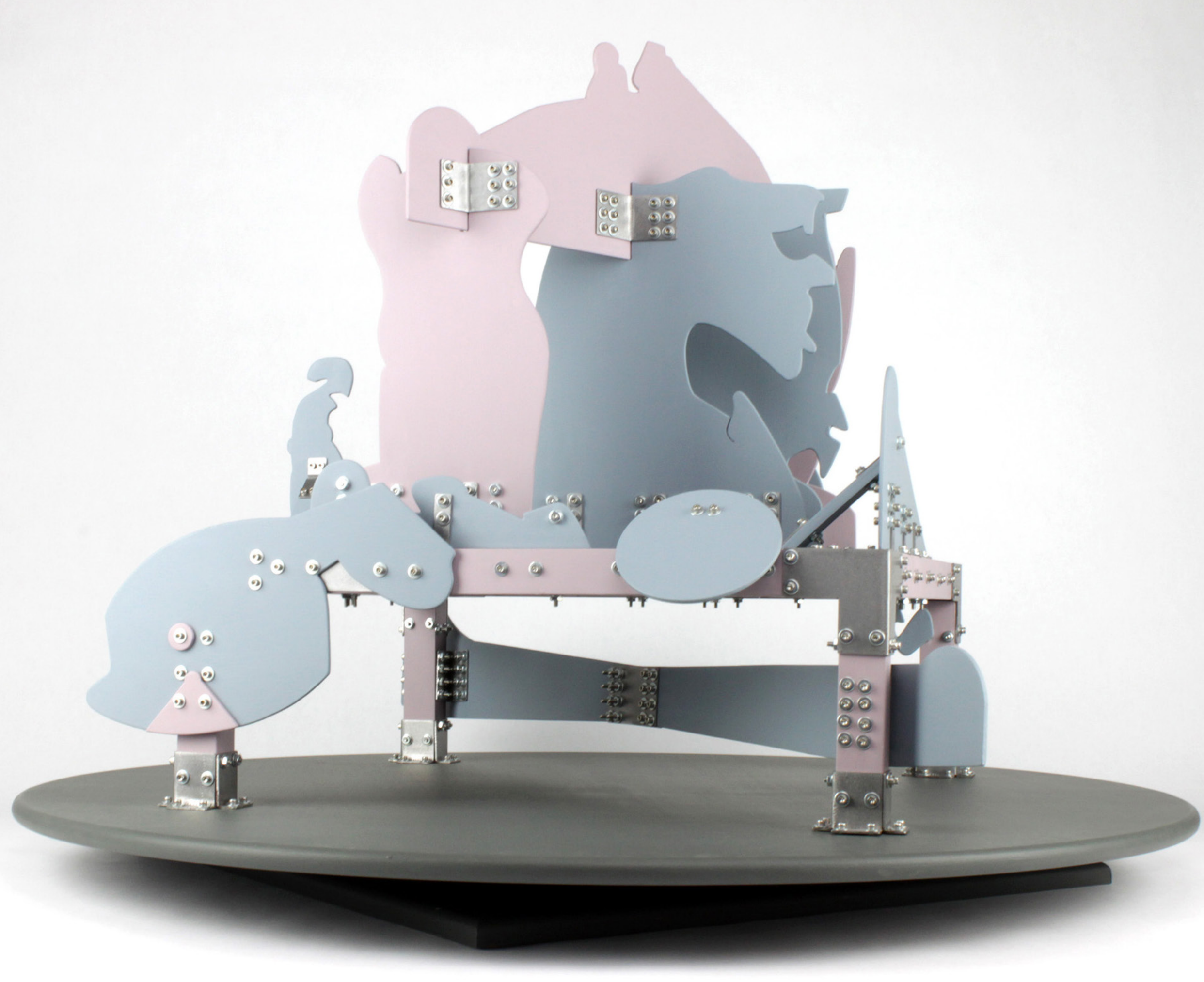
My sculpture design is mathematically structured. It recreates a full range of depth from the observational drawing inspiration, *Terrace Overlook at Lunchtime, 2020*. I've developed a series of fifty-three to-scale working drawings presented in a separate *Proposal Working Drawings Booklet* and hand-made a maquette to replicate every construction detail.

Proposal Concept Continued

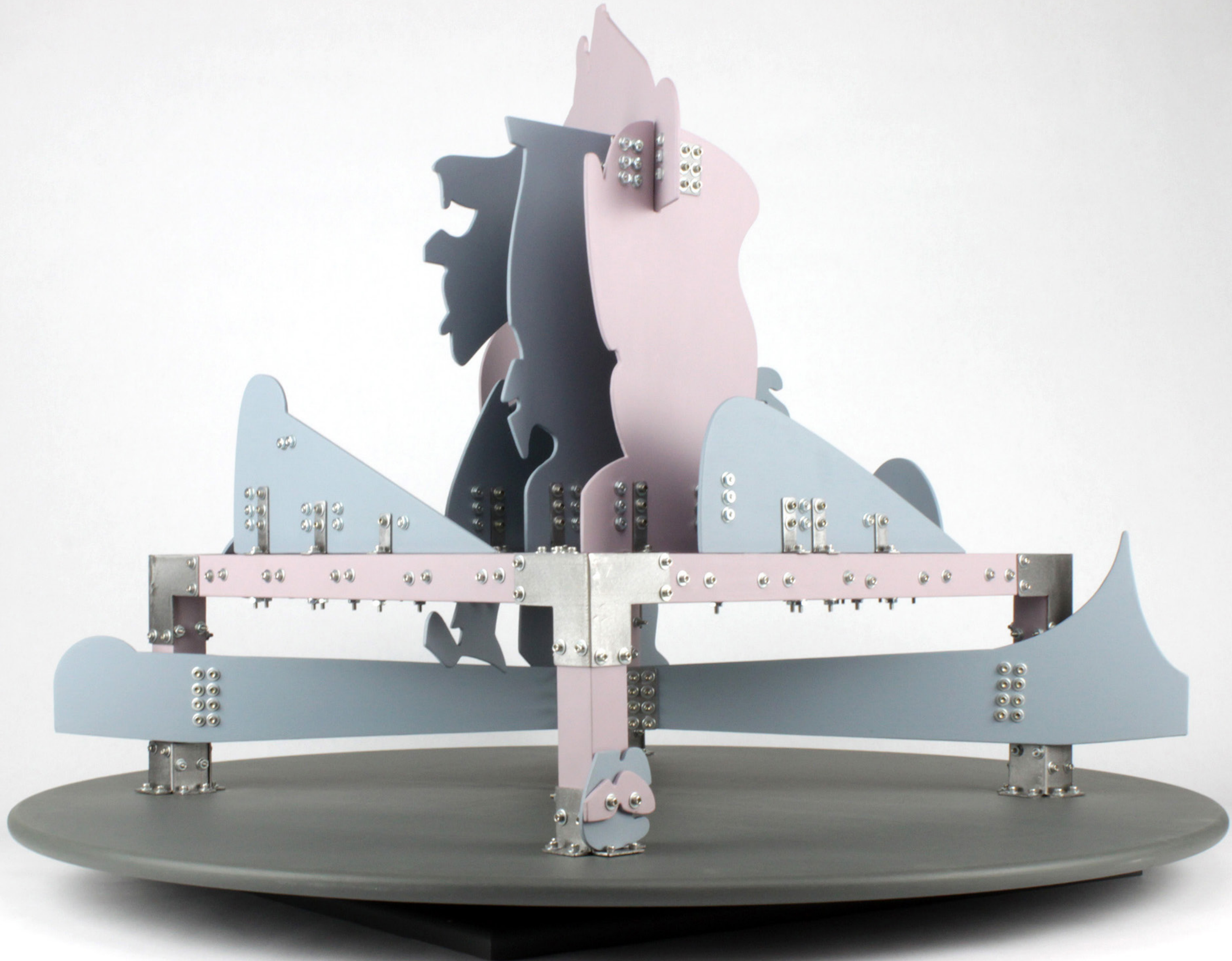
*Maquette | Rear Three-Quarter View* follows the pattern of a three-dimensional graph. Orthographic projection working drawings, on the other hand, flatten an object onto a single plane x and y graph. In my *Orthographic Projection | Plan View*, most labeled panels run horizontally, parallel to an imaginary x-axis. Others are vertical, aligning with the y-axis. These parts are all layered by equal intervals of vacant space. Two exceptions: Sheets "A" and "P" intersect the composition at irregular angles, acting as lines with a slope.

Constituent parts of the project each represent sections within my visual field. I drew these shape contours during periods of hyperfixation, the counterpart of ADHD (AND). It amplifies the presence of a singularity and mutes all other stimuli, internal and environmental. Individual shapes then developed into an "accretion," accumulative collage composition.

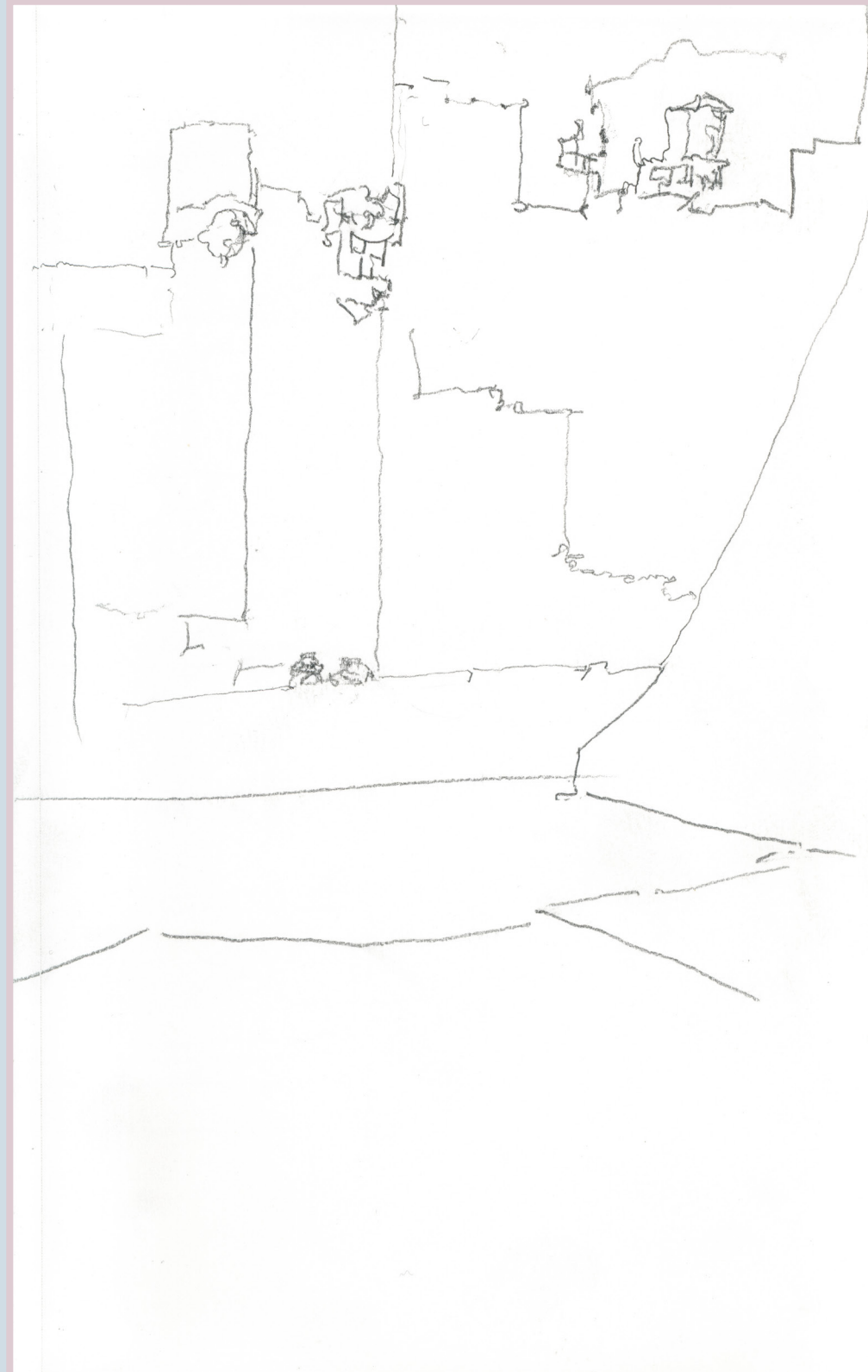
A red-green color processing divergence has also swayed my judgement in choosing the pigments for this artwork. According to multiple Ishihara Color Plate Test results, my sensibility to color significantly deviates from that of most people. I have a tendency to visually isolate a singular color mass within a mottled field of like hues. Once I maintain fixation, the area will seemingly amplify in visual prominence. Whatever variation existed between the surrounding color families becomes muted or nears achroma. During this scenario, I laid eyes on what I perceive as the "pink" and "purple" of *Pink and Purple Accretion*.



Cory Levy, Artist  
Pink & Purple Accretion Maquette  
2023  
Masonite, steel, and house paint  
21 1/8" x 29 1/8" x 29 1/8"  
Scale: 1:5

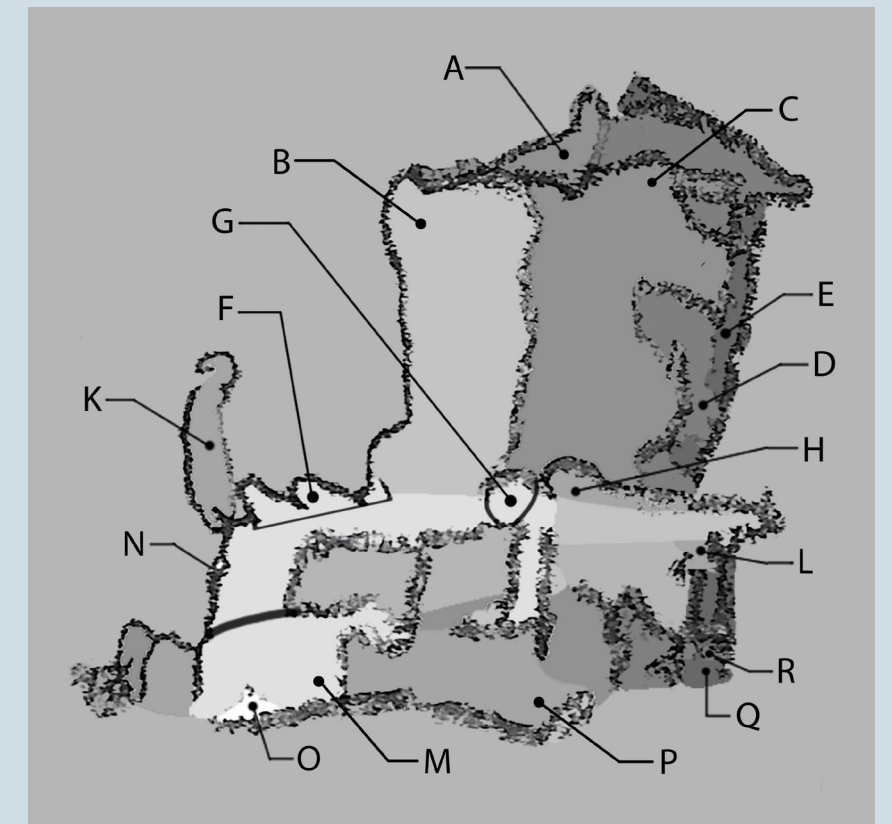


Terrace Overlook at Lunchtime  
2020  
Graphite on paper  
10" x 6"



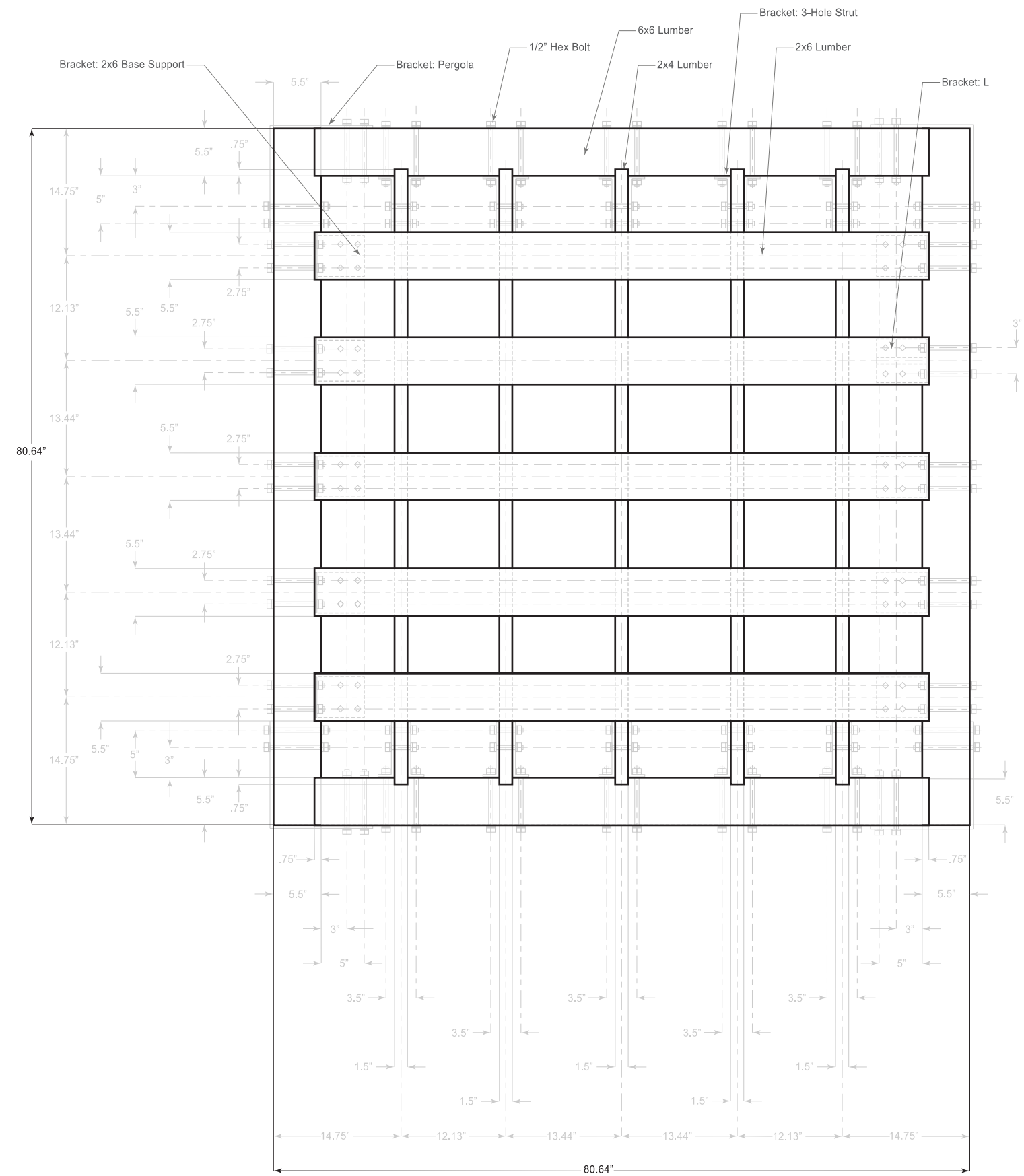
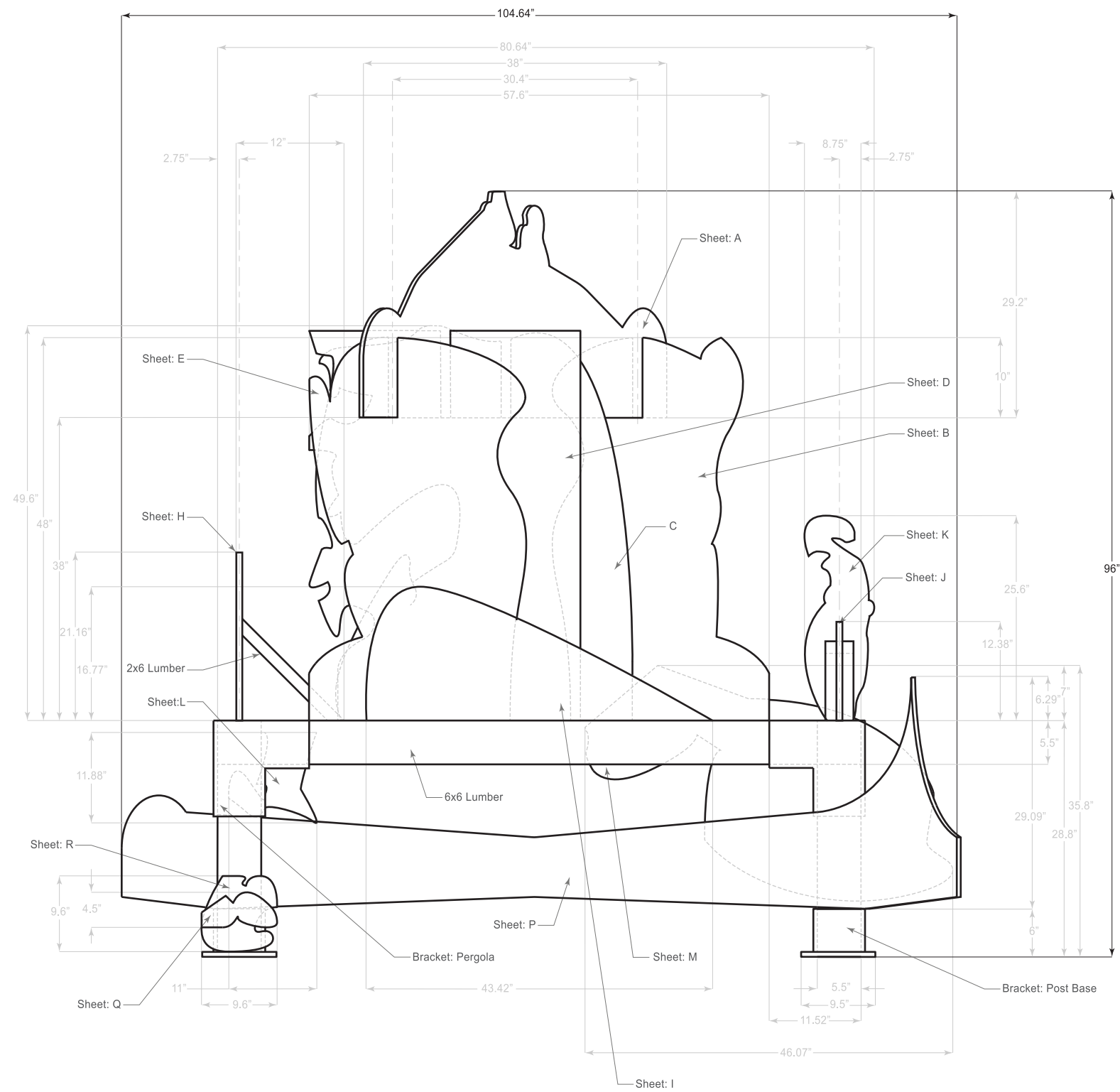
Terrace Overlook at Lunchtime  
(Close-Up)  
2020  
Graphite on paper

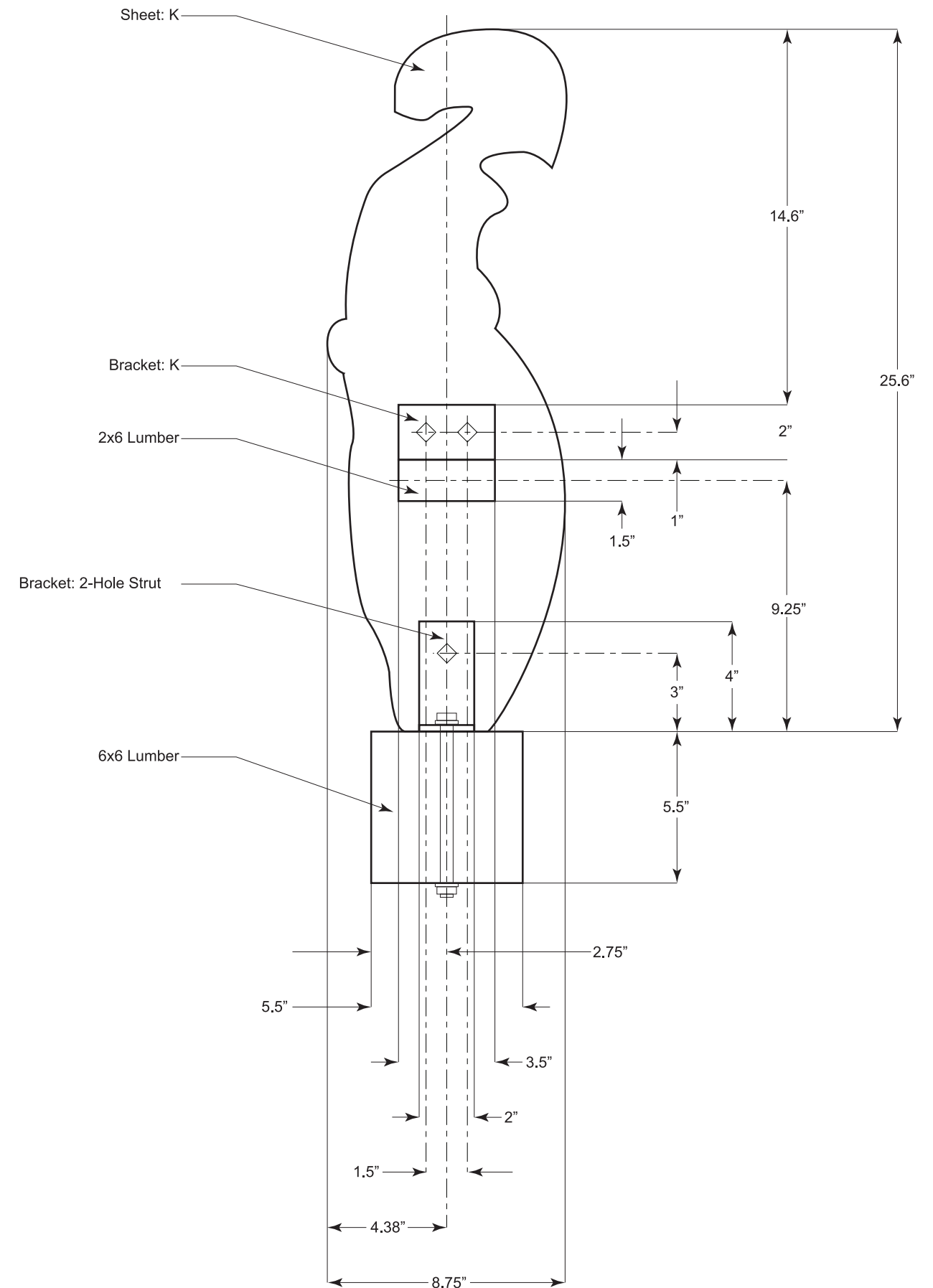
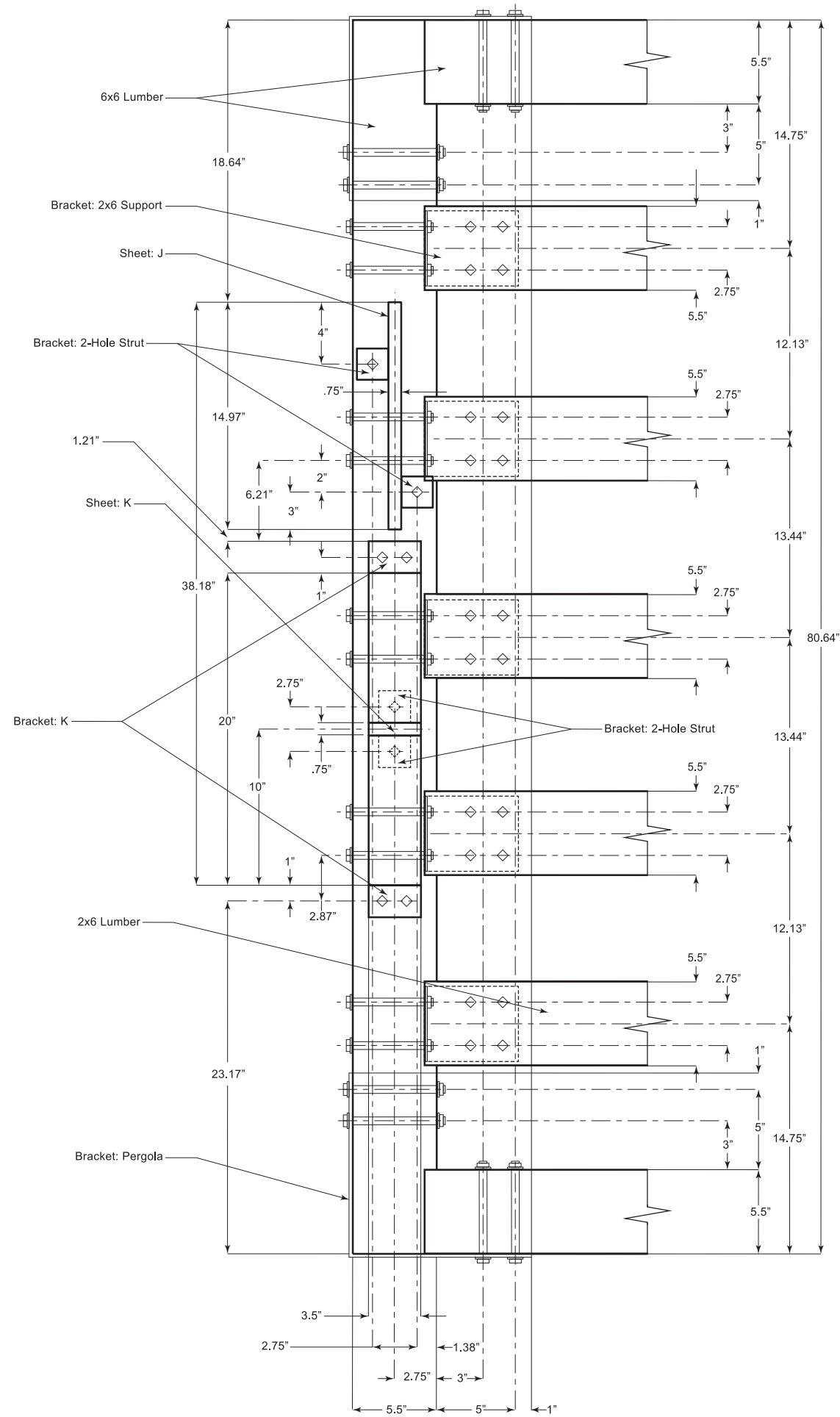
Pink and Purple Accretion,  
Preliminary Sculpture Design  
2020  
Graphite and digital









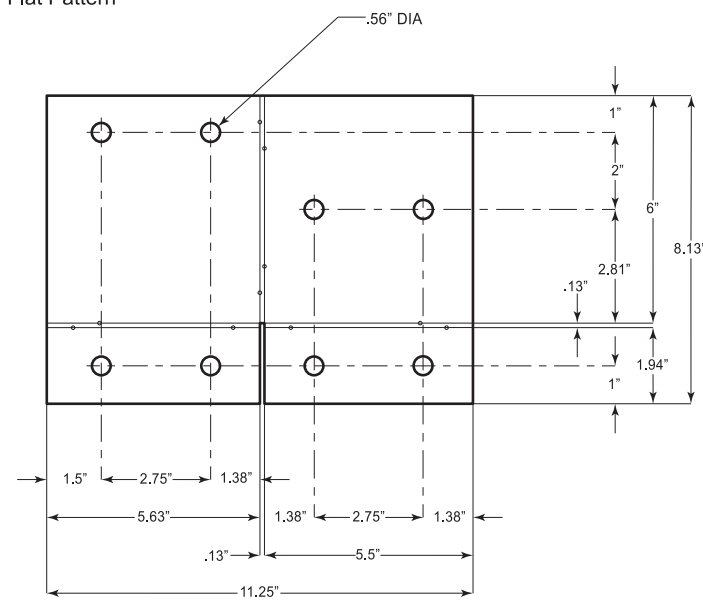




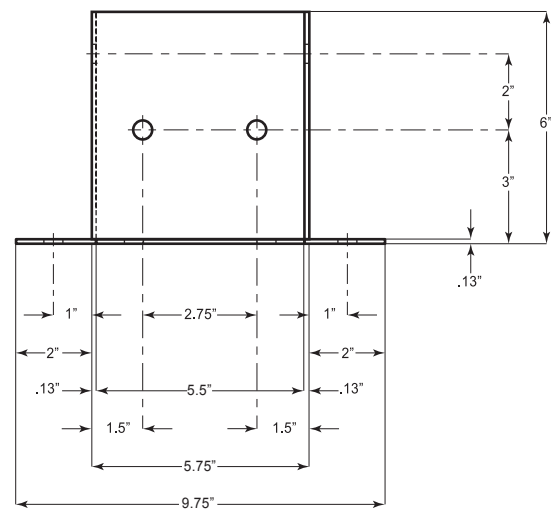
Plan View



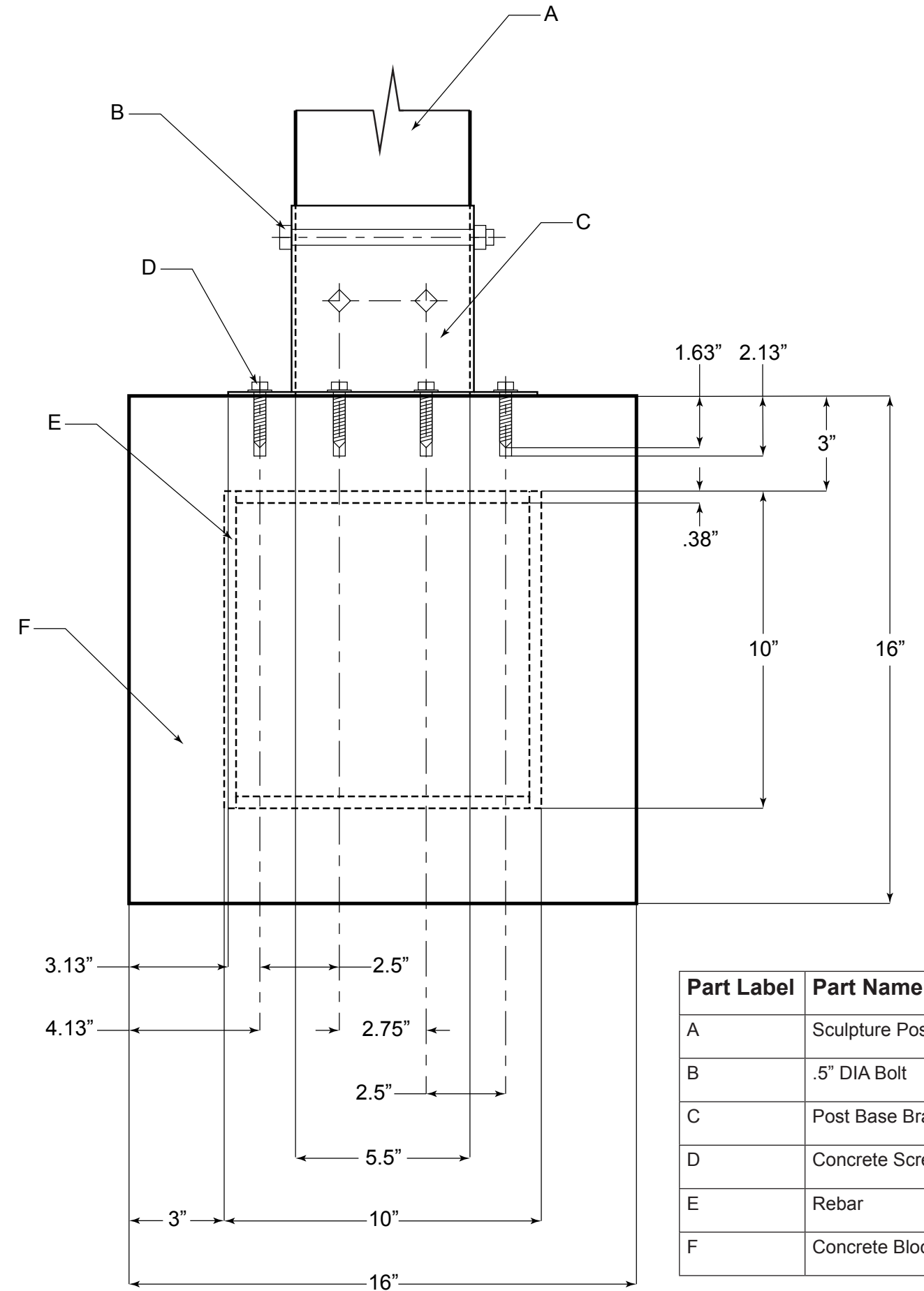
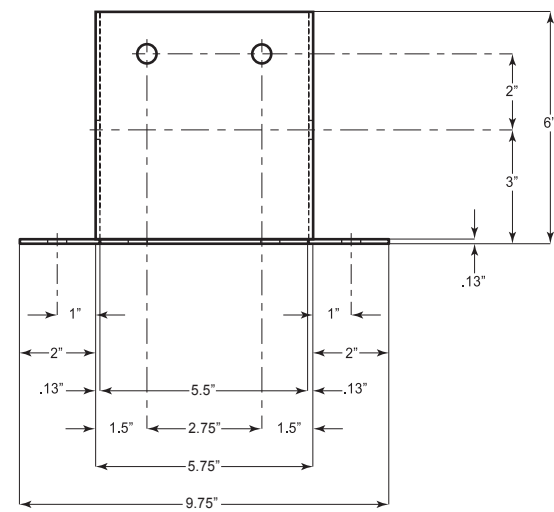
Flat Pattern



Front Elevation



Right Side Elevation



Part Label	Part Name
A	Sculpture Post
B	.5" DIA Bolt
C	Post Base Bracket
D	Concrete Screw Anchor
E	Rebar
F	Concrete Block

